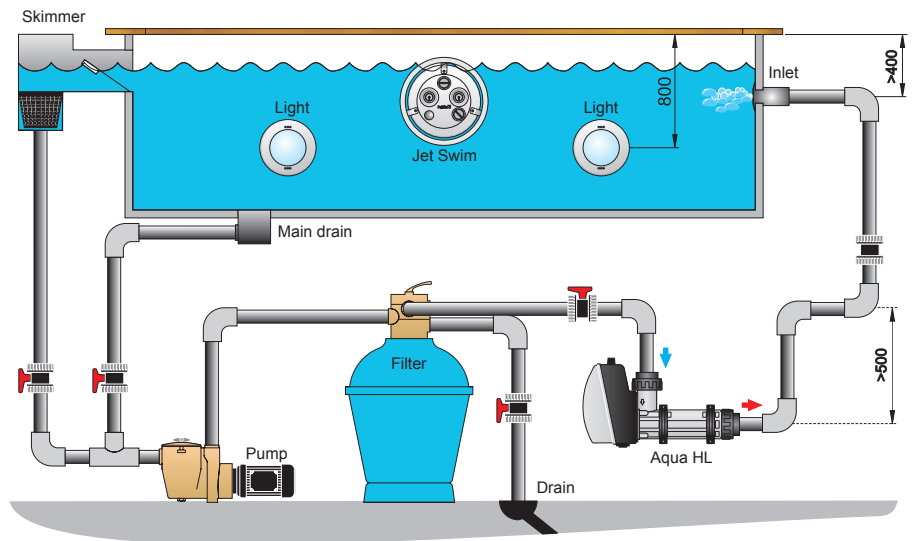


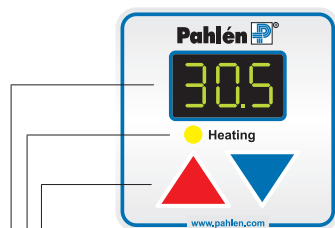
ELECTRIC HEATER AQUA HL LINE 3-15kW



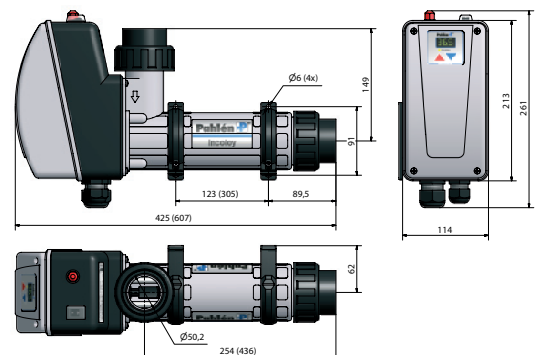
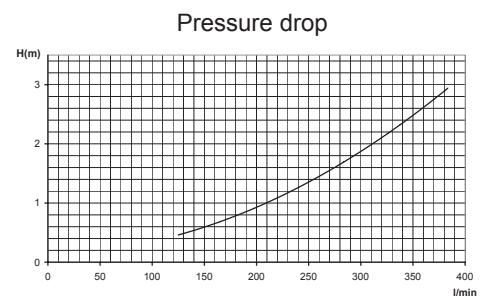
- Aqua HL comes with contactors and electronics - Easy to install, just connect the main cable.
- Capacity range 3-15kW - Fast and flexible heating of swimming pools.
- Digital control and display - Easy to set and operate.
- New modern design and material. Aqua HL is made of fibreglass reinforced thermoplastic - Strong and corrosion resistant.
- To avoid air pockets Aqua HL is constructed to be installed in a horizontal position - Eliminates air pockets and prevents damaging of the heating element
- Heating elements of Incoloy 825 as standard. The heater can be equipped with elements made of titanium - For increased corrosion protection.
- Equipped with overheating limit control and flow switch - Dual safety against overheating and a too low water flow.
- Dual built-in contactors - Prevents overheating if one of the contactors fails.
- Tested and certified by an independable Notified Body - Important for product safety.

Technical data	400V 3-phase	415V 3-phase
Item no.		
141800	3kW 5A	3,5kW 5A
141801	6kW 9A	6,5kW 9A
141802	9kW 13A	10kW 14A
141803	12kW 18A	13kW 18A
141804	15kW 22A	16,2kW 23A

Technical data	230V 1-phase	230V 3-phase
Item no.		
141820	3kW 13A	-
141821	6kW 26A	-
141830	-	3kW 8A
141831	-	6kW 15A
141832	-	9kW 23A



Temperature settings
 Heating in operation
 Actual temperature in pool
 Set temperature



For heaters with titanium element add T after the item no. **Example: Item no. 141800T.**